



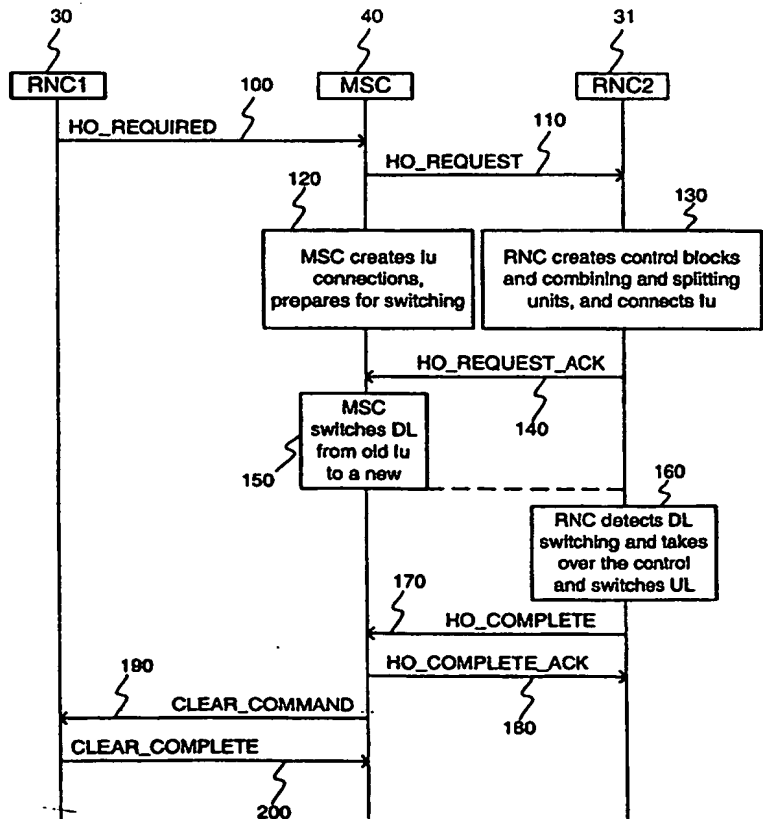
INTERNATIONAL APPLICATION PUBLISHED UNDER THE PATENT COOPERATION TREATY (PCT)

<p>(51) International Patent Classification <sup>6</sup> : <b>H04Q 7/38</b></p>	<p><b>A2</b></p>	<p>(11) International Publication Number: <b>WO 99/51051</b> (43) International Publication Date: 7 October 1999 (07.10.99)</p>
<p>(21) International Application Number: PCT/FI99/00268 (22) International Filing Date: 31 March 1999 (31.03.99) (30) Priority Data: 980736 31 March 1998 (31.03.98) FI (71) Applicant (for all designated States except US): NOKIA TELECOMMUNICATIONS OY [FI/FI]; P.O. Box 300, FIN-00045 Nokia Group (FI). (72) Inventor; and (75) Inventor/Applicant (for US only): AHMAVAARA, Kalle [FI/FI]; Ruostekuja 3 D 24, FIN-01610 Vantaa (FI). (74) Agent: BERGGREN OY AB; P.O. Box 16, FIN-00101 Helsinki (FI).</p>	<p>(81) Designated States: AE, AL, AM, AT, AU, AZ, BA, BB, BG, BR, BY, CA, CH, CN, CU, CZ, DE, DK, EE, ES, FI, GB, GD, GE, GH, GM, HR, HU, ID, IL, IN, IS, JP, KE, KG, KP, KR, KZ, LC, LK, LR, LS, LT, LU, LV, MD, MG, MK, MN, MW, MX, NO, NZ, PL, PT, RO, RU, SD, SE, SG, SI, SK, SL, TJ, TM, TR, TT, UA, UG, US, UZ, VN, YU, ZA, ZW, ARIPO patent (GH, GM, KE, LS, MW, SD, SL, SZ, UG, ZW), Eurasian patent (AM, AZ, BY, KG, KZ, MD, RU, TJ, TM), European patent (AT, BE, CH, CY, DE, DK, ES, FI, FR, GB, GR, IE, IT, LU, MC, NL, PT, SE), OAPI patent (BF, BJ, CF, CG, CI, CM, GA, GN, GW, ML, MR, NE, SN, TD, TG).</p> <p><b>Published</b> Without international search report and to be republished upon receipt of that report.</p>	

(54) Title: A METHOD FOR CONTROLLING CONNECTIONS TO A MOBILE STATION

(57) Abstract

The invention describes the realisation of transmission link optimisation in a situation, where a mobile station has moved from a network area controlled by a first radio network controller (RNC) RNC1 to a network area controlled by a second radio network controller RNC2. Signalling associated with the procedure is executed between the two RNC:s and a mobile switching center (MSC). The mobile station does not need to participate in the signalling, since the used radio resources remain the same. The object of this procedure is to optimise the utilisation of transmission links in the radio access network being used (RAN) and to minimise the transmission delay between the controlling RNC and the radio interface. This is realised by relocating the entities which control connections of a mobile station from the first RNC to the second RNC, and optimising the transmission links between the MSC and the second RNC. Such controlling entities may comprise e.g. the macrodiversity combining function, radio resource control block and associated user plane entities.



**FOR THE PURPOSES OF INFORMATION ONLY**

Codes used to identify States party to the PCT on the front pages of pamphlets publishing international applications under the PCT.

AL	Albania	ES	Spain	LS	Lesotho	SI	Slovenia
AM	Armenia	FI	Finland	LT	Lithuania	SK	Slovakia
AT	Austria	FR	France	LU	Luxembourg	SN	Senegal
AU	Australia	GA	Gabon	LV	Latvia	SZ	Swaziland
AZ	Azerbaijan	GB	United Kingdom	MC	Monaco	TD	Chad
BA	Bosnia and Herzegovina	GE	Georgia	MD	Republic of Moldova	TG	Togo
BB	Barbados	GH	Ghana	MG	Madagascar	TJ	Tajikistan
BE	Belgium	GN	Guinea	MK	The former Yugoslav Republic of Macedonia	TM	Turkmenistan
BF	Burkina Faso	GR	Greece			TR	Turkey
BG	Bulgaria	HU	Hungary	ML	Mali	TT	Trinidad and Tobago
BJ	Benin	IE	Ireland	MN	Mongolia	UA	Ukraine
BR	Brazil	IL	Israel	MR	Mauritania	UG	Uganda
BY	Belarus	IS	Iceland	MW	Malawi	US	United States of America
CA	Canada	IT	Italy	MX	Mexico	UZ	Uzbekistan
CF	Central African Republic	JP	Japan	NE	Niger	VN	Viet Nam
CG	Congo	KE	Kenya	NL	Netherlands	YU	Yugoslavia
CH	Switzerland	KG	Kyrgyzstan	NO	Norway	ZW	Zimbabwe
CI	Côte d'Ivoire	KP	Democratic People's Republic of Korea	NZ	New Zealand		
CM	Cameroon			PL	Poland		
CN	China	KR	Republic of Korea	PT	Portugal		
CU	Cuba	KZ	Kazakstan	RO	Romania		
CZ	Czech Republic	LC	Saint Lucia	RU	Russian Federation		
DE	Germany	LI	Liechtenstein	SD	Sudan		
DK	Denmark	LK	Sri Lanka	SE	Sweden		
EE	Estonia	LR	Liberia	SG	Singapore		

## A method for controlling connections to a mobile station

### TECHNICAL FIELD OF THE INVENTION

- 5 The invention is directed to a method for optimisation of transmission links in a cellular telecommunications network.

### BACKGROUND OF THE INVENTION

- 10 Figure 1 shows an example of a situation, which sometimes occur during a hard handover, i.e. when a mobile station 10 changes the base station or base stations 20 it uses. Such a situation may occur, for example, when a mobile station moves from one cell to another in a cellular telecommunication system. Figure 1 depicts two situations, situation A, when the mobile station 10 is still in the area of the first cell, and situation B, when the mobile station (MS) has moved to the area of the second cell. Figure 1 shows also base stations (BS) 20, which are controlled by radio network controllers (RNC) 30, 31. The radio network controllers are connected to a mobile switching center (MSC) 40. In the first situation, the mobile station 10 is in position marked by the letter A, having connections to base stations 20 controlled by the first RNC 30. The radio network controller 30 comprises combining 33 and splitting 34 units. Combining units 33 combine uplink signals belonging to same bearer coming from base stations, and splitting units replicate downlink signals to more than one base station. The RNC 30 also comprises a protocol control block, which executes the protocols needed for communication with the mobile station 10.
- 15 20 25 The RNC 30 forwards the uplink data to and receives downlink data from the MSC 40, which communicates with the rest of the telecommunications network.

- When the mobile station moves to the position marked by the letter B, the mobile station 10 establishes radio links to the base stations 20. During the handover signalling, the first RNC 30, i.e. RNC1 in figure 1, establishes the necessary connections B' via RNC2 to base stations 20 controlled by the RNC2, and releases the former connections A' to the base stations 20 controlled by the RNC1. The controlling RNC, i.e. RNC1 in figure 1, is commonly called the controlling RNC. The other RNC, i.e. RNC2 in figure 1, is commonly called the drift RNC. Further, in some specifications for the UMTS (Universal Mobile Telecommunication System), the interface between two RNC:s is called the Iur interface, and the interface between a MSC and a RNC is called the Iu interface. These interface names are used in this specification.
- 30 35

The system of figure 1, namely the use of a controlling RNC and a drift RNC, has certain drawbacks which arise from the fact, that in situation B the transmission links are routed via two RNC:s, instead of only one as in situation A. As the number of transmission links increase, also the delays created by the links increase. The increase of delays places more demands on the whole network, when the network has to fulfill strict delay requirements for constant delay services, such as speech. Further, since the number of transmission links in use increases, the load on the network increases.

## SUMMARY OF THE INVENTION

An object of the invention is to optimize transmission links in a cellular telecommunications network, when a mobile station has moved from an area controlled by a first radio network controller to a second area controlled by a second radio network controller. Another object of the invention is to realize a method for reducing transmission delays between the controlling radio network controller and the base stations in a situation, when a mobile station has moved from an area controlled by a first radio network controller to a second area controlled by a second radio network controller. A further object of the invention is to realize a method for reducing network load in a situation, when a mobile station has moved from an area controlled by a first radio network controller to a second area controlled by a second radio network controller. A still further object of the invention is to alleviate the aforementioned problems.

The objects are reached by relocating the connection controlling entities from the first radio network controller to the second radio network controller, whereby the second radio network controller becomes the controlling radio network controller, and by optimising the links between the mobile switching center being used and the second radio network controller.

The method for handover according to the invention is characterized by that, which is specified in the characterizing part of the independent method claim directed to a method for handover. The method for setting up a connection according to the invention is characterized by that, which is specified in the characterizing part of the independent method claim directed to a method for setting up a connection. The system according to the invention is characterized by that, which is specified in the

characterizing part of the independent method claim directed to a system. The dependent claims describe further advantageous embodiments of the invention.

5 The invention describes the realisation of transmission link optimisation in a situation, where a mobile station has moved from a network area controlled by a first radio network controller (RNC) RNC1 to a network area controlled by a second radio network controller RNC2. Signalling associated with the procedure is executed between the two RNC:s and a mobile switching center (MSC). The mobile station does not need to participate in the signalling, since the used radio resources  
10 remain the same. The object of this procedure is to optimise the utilisation of transimission links in the radio access network being used (RAN) and to minimise the transmission delay between the controlling RNC and the radio interface. This is realised by relocating the entities which control connections of a mobile station from the first RNC to the second RNC, and optimising the transmission links  
15 between the MSC and the second RNC. Such controlling entities may comprise e.g. the macrodiversity combining function, radio resource control block and associated user plane entities.

#### BRIEF DESCRIPTION OF THE DRAWINGS

20

The invention is described in more detail in the following with reference to the accompanying drawings, of which

- 25 Figure 1 illustrates a situation, which may occur in a prior art system after a hard handover,
- Figure 2 illustrates a starting situation for the explanation of a method according to an advantageous embodiment of the invention,
- 30 Figure 3 illustrates the final situation after performing of a method according to an advantageous embodiment of the invention,
- Figure 4 illustrates the signalling according to an advantageous embodiment of the invention, and
- 35 Figure 5 illustrates the signalling according to an advantageous embodiment of the invention.

Same reference numerals are used for similar entities in the figures.

#### DETAILED DESCRIPTION

5 An advantageous embodiment of the invention is described in the following with reference to figures 2, 3, and 4. Figure 2 shows an initial situation, where a mobile station 10 (MS) has connections to base stations 20, which are controlled by another RNC 31 than that RNC 30, which controls the connections to the mobile station. In this starting situation, RNC1 30 controls the connections to the mobile station, 10 while the connections are routed via RNC2 31, which controls the base stations, in whose area the mobile station is currently located. This situation may arise from example, when the mobile station initiates connections while located within a cell controlled by RNC1 30, and later moves away from that cell to another, which is controlled by RNC2 31. A mobile switching center 40 (MSC) forwards the 15 connections from the rest of the network (not shown in figure 2) to the RNC:s. The RNC:s further comprise combining and splitting units 33, 34. Combining units 33 combine uplink signals belonging to same bearer coming from base stations, and splitting units replicate downlink signals to more than one base station. The MSC comprises, among others, a switching block 41. Figure 3 illustrates the system of 20 figure 2 after a handover. The signalling associated with a handover according to an advantageous embodiment of the invention is illustrated in figure 4.

The RNC which controls, i.e. manages the connections to the MS, communicates with the MS using certain protocols, such as the RLC (Radio Link Control), MAC 25 (Medium Access Control) and RRC (Radio Resource Control) protocols. The RNC comprises certain functional blocks 32 for performing these protocols. These functional blocks are in the following called protocol control blocks 32. The protocol control blocks follow the protocol rules set by the network specifications, and include a memory for storing information associated with the current state of 30 each protocol and other related information. These protocol control blocks are usually realised as computer programs, which take care of the procedures associated with each protocol.

35 In the starting situation, the mobile station has obtained radio resources from RNC2, since it is RNC2 that controls the base stations (BS) which the MS is currently using. The connections at the interface between RNC1 and RNC2, i.e. the Iur interface, have been set up by RNC1, at the time when the mobile station moved from a cell controlled by RNC1 to a cell controlled by RNC2. These connections

are identified by leg identifiers. The base station to RNC links are set up by the RNC controlling the base station in question, in this case by RNC2.

5 In practice, the MS may also be using radio resources from other RNCs. For simplicity, the initial situation shown in figure 2 only includes connections from base stations controlled by RNC2. In one embodiment of the invention, radio resources from other RNCs are released before performing a RNC handover described in the following. However, the invention is not limited to that embodiment. In other embodiments of the invention, radio resources from other  
10 RNCs may also be left unchanged during a RNC handover.

The handover procedure is initiated by a HO\_REQUIRED message, which RNC1  
30 sends 100 to the MSC 40. The message comprises information necessary for setting up the handover, namely identification of target RNC, leg identifiers for the  
15 Iur interface connections between RNC1 and RNC2, and protocol control block information specifying the protocols and the current state of the protocols in use.

Preferably, after sending of the HO\_REQUIRED message, RNC1 is not allowed to  
20 change those characteristics of the connection or connections, which characteristics were specified in the HO\_REQUIRED message. Otherwise, more signalling is needed between RNC1 and RNC2 before RNC2 takes over the connections in order to ensure, that RNC2 has correct information about the state of the connections.

Upon reception of the HO\_REQUIRED message the MSC starts to create new Iu  
25 connections to the target RNC. The MSC also sends 110 a HO\_REQUEST message to RNC2, which message includes the same information necessary for setting up the handover.

Normal Iu connection setup procedures can be used to create the new Iu  
30 connections to the target RNC. The setting up of the Iu connections can be performed before, roughly at the same time, or after sending of the HO\_REQUEST message to RNC2, depending on the chosen Iu connection setup procedure. MSC also prepares itself, i.e. the switching block of the MSC, to be able to switch each old Iu connection to its newly established counterpart, without any loss of data.  
35 Figure 4 corresponds to such an embodiment of the invention, where the setting up of Iu connections is performed after the sending of the HO\_REQUEST message to RNC2.

The MSC is not the only entity suitable for creating the Iu connections between MSC and the target RNC. In another exemplary embodiment of the invention, the RNC2 performs the setting up of the new Iu connections between the RNC2 and the MSC, after receiving the HO\_REQUEST message from the MSC.

5

MSC adds further information to the information received in the HO\_REQUIRED message and passed on to RNC2 in the HO\_REQUEST message, namely at least a handover identifier. In such an embodiment of the invention, where the MSC takes care of creating the new Iu interface links between the MSC and the target RNC, the MSC also adds identifiers of the new Iu links to the information passed on to the target RNC, in order to enable the target RNC to use the established Iu links in the particular handover.

10

The target RNC, RNC2, uses the Iur leg identifiers specified in the HO\_REQUEST message to identify which of the currently active Iur interface legs are to be included in the handover procedure. The target RNC2 creates 130 protocol control blocks for the connections to the mobile station, and sets their state according to the protocol control block information contained in the message. Thereafter the protocol control blocks are able to take over controlling the MS after execution of the handover, and are set to wait for a trigger for starting the operation.

15

20

The HO\_REQUIRED and HO\_REQUEST messages also preferably comprise information about which identifier was used by RNC1 to identify itself to the active base stations. This information is needed after RNC2 takes over the connections to allow RNC2 to identify itself to the base stations and to allow the base stations to accept data from RNC2 and ignore data from RNC1.

25

The HO\_REQUIRED message sent by the RNC1 may also in some embodiments of the invention comprise a time reference proposal for the execution time of the handover. However, other ways of specifying the execution time are specified later in this specification.

30

RNC2 creates 130 a combining unit for each of the uplink bearers and a splitting unit for each of the downlink bearers, whereafter RNC2 connects the new Iu links to corresponding splitting and combining units. A combining unit is a unit which combines the signals belonging to a single bearer from the base stations, which have received the same bearer. A splitting unit is a unit which distributes a bearer to multiple base stations for transmission.

35



RNC2 also prepares itself to switch the data stream coming from uplink combining units connected to the current Iur links identified by the leg identifiers in the HO\_REQUEST message, to the new uplink combining units connected to the new Iu links. However, RNC2 can also prepare itself in other ways to switch the data stream. For example, in an another advantageous embodiment of the invention, RNC2 duplicates the uplink data stream and directs the duplicate to a newly created combining unit connected to the newly created Iu link, instructing the combining unit not to output any data yet. After such preparations, RNC2 can start sending data via the new Iu link simply by allowing the combining unit to output data.

The HO\_REQUEST message sent by the MSC may also in some embodiments of the invention comprise a time reference proposal for the execution time of the handover. However, other ways of specifying the execution time are specified later in this specification.

The RNC2 needs information about the timing of the base stations in order to be able to adjust the sending time of downlink data units correctly, so that the data units are received by the base stations at the correct time for inclusion in the desired CDMA radio frames. The new protocol control blocks of RNC2 receive timing information determined by RNC1 as a part of the protocol control block information of the HO\_REQUEST message. Since the transmission delays to the base stations are different at RNC2, the timing information needs to be checked. The timing information typically comprises information on the frame timing at each base station and transmission delays from the RNC to the base stations. Current cellular network systems and the UMTS specifications, for example, specify various methods for obtaining information about base station timing and transmission delays, any of which methods can be used in an embodiment of the invention. Therefore, these methods are not described here in further detail. RNC1 preferably includes in the timing information of the HO\_REQUEST message also information about the length and the starting frames of the interleaving periods of the involved bearers, i.e. information concerning the services provided by the network for the mobile station. This service information does not need to be checked by the RNC2.

In such a situation, where the mobile station has active connections through more than one RNC, the target RNC, i.e. RNC2 in the present example, also creates new Iur links to and from the other RNC:s.

At the following stage, RNC2 signals MSC that preparations for the handover are completed by sending 140 a HO\_REQUEST\_ACK message to the MSC. This message comprises the identifier of the handover, for which RNC2 has prepared itself. The HO\_REQUEST\_ACK message sent by the RNC2 may also in some  
5 embodiments of the invention comprise a time reference proposal for the execution time of the handover. However, other ways of specifying the execution time are specified later in this specification.

After receiving the HO\_REQUEST\_ACK message from RNC2, the MSC prepares  
10 itself for switching from the old Iu connections to RNC1 to the new Iu connections to the RNC2.

First, the switching of uplink connections in the MSC is discussed. In one embodiment of the invention, the MSC commands the switching element of the  
15 MSC to perform the switching immediately, when any activity at the new Iu uplink connection is detected. In another advantageous embodiment of the invention, the MSC sets up a multipoint-to-point connection connecting the Iu links participating in the handover from RNC1 and RNC2 to the MSC. In the multiparty connection embodiment, data coming from either of the RNC:s is forwarded by the MSC  
20 towards the intended destination. In one exemplary embodiment, the MSC sets up the multiparty connection by creating a combining means, which receives the uplink data from both RNC1 and RNC2, and outputs data, whenever any data is received in either of the inputs. Such a combining means may be created by setting up the switching elements of the switching unit of the MSC to perform such functions. In  
25 another advantageous embodiment of the invention, the combining unit also performs selection of data, which in case of same data arriving from both inputs, selects which of the two data streams is copied to output of the combining means. The combining means therefore removes duplicates if the same data is received from both inputs. The combining unit may perform this selection by checking,  
30 whether either of received units of data is incorrect, and by selecting the correct unit of data.

Next, the downlink arrangements at the MSC are discussed. The MSC starts to send data to the RNC2. In an advantageous embodiment of the invention, MSC  
35 duplicates the downlink data and sends them both through the old Iu links to RNC1 and through the new Iu links to RNC2. In this embodiment using data duplication, information indicating that the data is duplicated is preferably added to the downlink data units. This information identifying duplicated data simplifies the data

processing at the base stations, if the base stations receive the same data both from RNC1 and RNC2.

5 In another embodiment of the invention, the MSC simply switches the downlink data transmission from RNC1 Iu links to RNC2 Iu links. This embodiment corresponds to the description of stage 150 in figure 4.

10 In an advantageous embodiment of the invention, the handover execution time is determined as follows. When RNC2 detects 160 that downlink data is coming from the MSC, it takes over controlling of the connections to the mobile station, and starts to send uplink data coming from the mobile station directly to the MSC through the new Iu uplink links. The switching block of RNC2 switches all uplink data to the new uplink combining unit, and ceases to forward the uplink data to the old Iur links towards RNC1. Similarly, the RNC2 ceases to forward downlink data  
15 coming from the RNC1 towards the base stations. This embodiment corresponds to the description of stage 160 in figure 4.

In another advantageous embodiment of the invention, the exact time of handover execution is found as follows. When the first data unit arrives through the new Iu  
20 links to the RNC2, the protocol control blocks examine the timing information described previously, and determine in which CDMA frame the data unit will be transmitted. The protocol control blocks perform this examining and determining for all bearers, and the first data unit to be sent towards the base stations determines the actual handover execution time.

25

The handover execution time can also be determined based on bearer interleaving periods. This procedure is explained later in this specification.

30 In some embodiments of the invention, the RNC handover execution time may be determined by a mobile station during a hard handover procedure, i.e. when a mobile station changes the base station it is using. The RNC handover procedure in conjunction with a hard handover procedure is explained later in this specification.

35 The data units are sent to base stations by the protocol control blocks through one or more splitting units, which replicate the data units to all base stations. The protocol control blocks also create any necessary header information, such as rate information or Frame Control Headers (FCH) needed for the CDMA frames.

In an advantageous embodiment of the invention, all information created by the protocol control blocks in the RNC2 are marked with a RNC identifier identifying RNC2 as the creator of the information, in order to allow base stations to determine, that the information is generated after the handover execution. The identifier can be included, for example, to CDMA frame labels attached to each data and header unit. The identifier is advantageously selected by the new RNC. To avoid the same identifier to be selected, the old serving RNC, i.e. RNC1, indicates its identifier to the new serving RNC during the handover signalling, for example in the HO\_REQUIRED message as described previously. However, the RNC identifiers can in some embodiments of the invention be specified by the MSC or some other controlling entity. Consequently, when a base station receives data units or control information related to the same connection, targeted to the same CDMA frame or frames and having different serving RNC identifiers, the base station discards the data units and control information marked with the old serving RNC identifier.

In such a situation, where the mobile station has active connections through more than one RNC, the target RNC, i.e. RNC2 in the present example, also begins forwarding data to and from the newly created Iur links links to and from the other RNC:s.

After completing the previous steps, RNC2 sends 170 a HO\_COMPLETE message to the MSC, which message acknowledges that RNC2 has successfully completed the handover. After receiving the HO\_COMPLETE message, MSC releases old connections to and from RNC1, and instructs RNC1 to release the connections as well by sending 190 a CLEAR\_COMMAND message. In some embodiments of the invention, RNC1 may reply by sending a CLEAR\_COMPLETE message after releasing the connections and performing any necessary other cleanup procedures.

In some embodiments of the invention, the MSC may also send 180 an acknowledgment message HO\_COMPLETE\_ACK back to the RNC2.

The handover procedure explained in connection with figures 2 and 3 is only one exemplary embodiment of the invention. The handover procedure can be realised with many other signalling sequences as well. For example, RNC1 does not necessarily need to route the HO\_REQUIRED message via the MSC. In a further exemplary embodiment of the invention, RNC1 initiates the handover by sending a HO\_REQUIRED message directly to RNC2, and sends a separate HO\_REQUIRED\_MSC message to the MSC to command the MSC to begin

preparations for the handover. As an another example, in some embodiments of the invention, RNC1 may send the HO\_REQUIRED message directly to RNC2, after which RNC2 sends a corresponding message to the MSC to inform the MSC of the need for a handover.

5

In this specification, certain names have been used for various commands sent between the various functional entities. One example of such a command name is HO\_REQUIRED. The invention is not limited to any specific command names; the command names can be different in different embodiments of the invention. Also, the names of various functional entities, such as the MSC and the RNC, may be different in different cellular networks. The names used in this specification are used in a specific exemplary design for a third generation mobile cellular network, and are not intended to limit the invention in any way.

#### 15 Organising of interleaving periods

Typically, a cellular network provides various services to the user. The data transmission requirements such as transmission rate, the allowed bit error rate, or maximum delay of the services are often different from service to service. Different requirements result in different interleaving periods being used for different bearers. With an interleaving period of 1, one data unit is sent in every frame. With an interleaving period of 2, one half of a data unit is sent in one frame. Generally, interleaving period may be  $n$  frames or other basic time units, where  $n$  is an integer between 1 and a specified maximum limit. In the general case,  $1/n$ :th part of a data unit is sent in one frame. Quite often, more than one of such parts from more than one data units are sent in one frame, in order not to decrease the data transmission rate too much. The length of the interleaving period of a connection is set during the setup of the connection, as well as the starting frame of the interleaving period.

In an advantageous embodiment of the invention, the timing of each bearer is set in such a way, that the interleaving periods of as many bearers as possible start at the same frame as often as possible. Optimally, the timing is set in such a way, that the interleaving periods of all bearers start at the same frame from time to time, with as small repetition period as possible. This kind of timing simplifies the RNC handover, since then the handover can be executed at the beginning of a frame, at which the interleaving periods of the bearers start. Without such interleaving period setup, strict time synchronization is required between the transmission of the

35

various bearers in order not to exceed the specified interleaving periods during a handover.

5 Preferably the starting points of interleaving periods are set in such a way, that the starting frame of the interleaving period can be deduced from a simple rule, minimizing required calculations. For example, the interleaving periods are advantageously set to start at a frame, where the global frame number modulo the length of the interleaving period is a predefined number, such as one, or preferably zero. The global frame number is a number, which identifies the transmission frames. The global frame numbering scheme is commonly used in cellular telecommunication systems.

15 In a further advantageous embodiment of the invention, the lengths interleaving periods are also adjusted according to a rule in order to simplify further processes. Preferably, the lengths of the interleaving periods are set to be powers of two, for example 2, 4, 8, or 16 frames and so on. When the length is a power of two the calculation, if the global frame number modulo the length of the interleaving period is zero, becomes extremely simple.

20 In this specification and in the accompanied claims, the length of interleaving periods is specified as the number of transmission frames, such as CDMA frames.

25 While the RNC handover can advantageously be timed to be executed at such a frame, when interleaving periods start, the alignment of interleaving periods according to the invention can also be utilized in other ways as well. For example, the alignment of interleaving periods also simplifies a normal hard handover, even when a RNC handover is not necessary.

### 30 RNC handover driven by a hard handover procedure

In an advantageous embodiment of the invention, the RNC handover is initiated by a so called hard handover, i.e. a handover of a mobile station from one base station to another, which base stations in this case are under control of different RNC:s. Figure 5 illustrates one example of signalling used in an advantageous embodiment of the invention. This example corresponds to the situation, when a mobile station moves from a cell controlled by RNC1 to a cell controlled by RNC2.

For clarity, most of the typical signalling between a mobile station and the network associated with a hard handover is not shown in figure 5. Figure 5 presents only signalling associated directly with the RNC handover. Also, most of the signals and procedural steps shown in figure 5 were described in detail in connection with figure 4, and therefore a detailed description of these signals and procedural steps is not reproduced here.

First, RNC1 30 sends 100 a HO\_REQUIRED message to MSC 40, which message preferably comprises the information described in connection with figure 4. The MSC sends a corresponding HO\_REQUEST message to RNC2 31, and starts the preparations for the handover. When RNC2 receives the HO\_REQUEST message, RNC2 performs the necessary preparations for handover. When RNC2 is ready for handover, it informs MSC by sending an acknowledgement message HO\_REQUEST\_ACK to the MSC.

After receiving the acknowledgement, MSC starts to transmit downlink data via RNC2. Advantageously MSC sends the data both to RNC1 and RNC2, which corresponds to the example in figure 5. In other embodiments of the invention, MSC can switch the downlink data transmission from RNC1 to RNC2, thereby finishing downlink data transmission to RNC1.

Next, the MSC sends a HO\_COMMAND message to RNC1 indicating, that the handover may take place. RNC1 sends a corresponding HO\_COMMAND message to the mobile station. After receiving the HO\_COMMAND message, the mobile station may trigger the handover at any time by sending a HO\_ACCESS\_REQUEST message to RNC2.

In another advantageous embodiment of the invention, RNC2 creates the HO\_COMMAND message, and includes the message in the HO\_REQUEST\_ACK-message it sends to MSC. Subsequently the MSC merely forwards the HO\_COMMAND message to RNC1.

In a further advantageous embodiment of the invention, the HO\_COMMAND message comprises information about the radio resources for use in the access request or in the activity after the access request. Such information may comprise, for example, channel information specifying the channel, on which the access request should be made. Such information may further comprise information about

which channels have been received for the mobile station by the RNC2 for communication after the handover.

5 In the example of figure 5 the mobile station decides, when the handover is to be executed. However, the invention is not limited to this embodiment. For example, any of the known methods for triggering a hard handover may be used. Therefore, in other embodiments of the invention, RNC1 may act as the entity which decides the execution time for the hard handover and consequently the RNC handover. In other  
10 embodiments of the invention, RNC2 may act as that entity. For example, RNC1 and RNC2 may perform the preparations for the handover, after which RNC1 sends a message to RNC2, informing RNC2 that the RNC2 may execute the handover at any time. Since a hard handover can be executed also by the MSC, the MSC may as well decide the execution time in some embodiments of the invention.

15 When RNC2 receives the HO\_ACCESS\_REQUEST message, it performs the handover by taking over the control of the connections to the mobile station. In some embodiments of the invention, RNC2 may send 162 a HO\_DETECT message to inform MSC, that RNC2 has detected the mobile station. Such a message is used in the GSM system. However, sending of the HO\_DETECT message is not  
20 necessary in all embodiments of the invention, since the invention is not in any way limited to the GSM system.

After completing the previous steps, RNC2 sends 170 a HO\_COMPLETE message to the MSC, which message acknowledges that RNC2 has successfully completed the  
25 handover. After receiving the HO\_COMPLETE message, MSC releases old connections to and from RNC1, and instructs RNC1 to release the connections as well by sending 190 a CLEAR\_COMMAND message. In some embodiments of the invention, RNC1 may reply by sending a CLEAR\_COMPLETE message after releasing the connections and performing any necessary other cleanup procedures.

30 In some embodiments of the invention, the MSC may also send 180 an acknowledgment message HO\_COMPLETE\_ACK back to the RNC2.

#### Further embodiments of the invention

35 In some embodiments of the invention, more than one mobile switching centers (MSC) are involved in the handover. This is the case when, for example, RNC1 is under control of a first MSC and RNC2 is under control of a second MSC. An



another example of the involvement of more than one mobile switching centers or corresponding entities is an inter-system handover. For example, when a mobile station moves from a cell of a first cellular system, say a GSM system, to a cell of a second cellular system, say a W-CDMA based system, the involved radio network controllers in each system are controlled by a MSC or a corresponding entity of the particular system. The various signalling sequences described previously in connection with figures 4 and 5 can be used in such a situation as well, with the only change that the RNC:s send and receive messages to and from their respective controlling MSC:s, not to and from the same MSC. The participating MSC:s need to execute some signalling as well, for example, execute an inter-MSC handover. However, since various inter-MSC handover methods are known by the man skilled in the art, this signalling is not discussed here in further detail. Inter-MSC handover is discussed, for example, in the PCT patent application WO 95/08898.

In some embodiments of the invention, a single RNC may have connections to and from more than one MSC. For example, the mobile station may have more than one connections, each of which come through a different MSC. Such a situation may arise for example in the UMTS system presently under development, when more than one call or connection is received from more than one core network through a single radio access network. In such an embodiment, the RNC:s participating in the handover procedure preferably repeat the previously described signalling with each of the participating MSC:s or corresponding core network entities.

The invention is not limited to identifying the source RNC of data units by attaching RNC identifiers to the data units transmitted to base stations. In a further advantageous embodiment of the invention, a base station recognizes the RNC which transmitted a data unit from the transmission channel from which the data unit was received by the base station. For example, if the RNC2 sets up a new AAL2 layer connection to the base station, the connection setup signalling informs the base station, that the new connection comes from the RNC2. Afterwards the base station knows without explicit tagging of the data units that any data units received from the new AAL2 connection come from RNC2. The source RNC may also be identified by a certain AAL5 channel, a certain PCM communication link channel, or by any other specific channel. Similarly, the base station may know that data units from a certain second channel come from RNC1. Consequently, when the base station receives a data unit from the first radio network controller and a data unit from the second radio network controller, and said data units are directed to be

sent in the same transmission frame, said base station discards said data unit received from the first radio network controller.

5 In a further advantageous embodiment, these source RNC identification methods may be used in combination. For example, the RNC1 can be identified by RNC identifiers attached to data units, and RNC2 by the communication channel transmitting the data units to the base station.

10 Although in the previous examples the mobile station is in connection with more than one base station simultaneously, the invention is not limited only to systems, in which a mobile station can have connections to multiple base stations. The method according to the invention can be used in any cellular telecommunication system using routing of connections via a controlling and a drift radio network controller or a corresponding entity.

15 The name of a given functional entity, such as the radio network controller, is often different in the context of different cellular telecommunication systems. For example, in the GSM system the functional entity corresponding to a RNC is the base station controller (BSC). Therefore, the term radio network controller in the  
20 claims is intended to cover all corresponding functional entities regardless of the term used for the entity in the particular cellular telecommunication system.

25 In view of the foregoing description it will be evident to a person skilled in the art that various modifications may be made within the scope of the invention. While a preferred embodiment of the invention has been described in detail, it should be apparent that many modifications and variations thereto are possible, all of which fall within the true spirit and scope of the invention.

**Claims**

1. A method for handover of at least one connection to a mobile station in a cellular telecommunication system having at least two radio network controllers,  
5 characterized in that the handover method comprises the steps of
  - transmitting state information of at least one protocol control block controlling at least one communications protocol, which protocol governs the communication of data between a mobile station and a radio network controller, from a first radio network controller to a second radio network controller, and
  - 10 - relocating control of said at least one communications protocol from said first radio network controller to said second radio network controller.
  
2. A method according to claim 1, characterized in that the method further comprises steps, in which
  - 15 - said first radio network controller attaches a RNC identifier to downlink data units for informing base stations receiving said data units of the source of said data units, and
  - said second radio network controller attaches a RNC identifier to downlink data units for informing base stations receiving said data units of the source of said data  
20 units.
  
3. A method according to claim 2, characterized in that if a base station receives a data unit identified by the identifier of said first radio network controller and a data unit identified by the identifier of said second radio network controller, and  
25 said data units are directed to be sent in the same transmission frame, said base station discards the data unit identified by the identifier of said first radio network controller.
  
4. A method according to claim 1, characterized in that the method further  
30 comprises steps, in which
  - a base station receives a data unit from one of said first and second radio network controllers via a communication link, and
  - said base station identifies which of said first or second radio network controllers transmitted said data unit based on via which communication channel said data unit  
35 was received.
  
5. A method according to claim 4, characterized in that if a base station receives a data unit from said first radio network controller and a data unit from said second

radio network controller, and said data units are directed to be sent in the same transmission frame, said base station discards said data unit received from said first radio network controller.

- 5 6. A method according to claim 1, characterized in that said second radio network controller determines the handover execution time.
7. A method according to claim 1, characterized in that the mobile station determines the handover execution time.
- 10 8. A method according to claim 1, characterized in that the handover is executed at the beginning of a transmission frame, at which the interleaving periods of at least two bearers start.
- 15 9. A method for setting up a connection of a mobile station in a cellular telecommunication system, characterized in that when a new connection is opened to the mobile station, the starting time of the interleaving period of said connection is set according to a first predefined rule for aligning the starting times of the interleaving periods of the connections of the mobile station.
- 20 10. A method according to claim 9, characterized in that according to said first rule, the starting frame of said interleaving period of said connection is set to a frame, at which frame the global frame number modulo the length of said interleaving period is a predefined number.
- 25 11. A method according to claim 10, characterized in that said predefined number is zero.
12. A method according to claim 9, characterized in that the length of said interleaving period is set according to a second predefined rule for increasing the frequency of such frames, at which the interleaving periods of the connections start.
- 30 13. A method according to claim 12, characterized in that according to said second predefined rule, the length of said interleaving period is set to be a power of two.
- 35

14. A system for controlling connections to a mobile station in a cellular telecommunications network, characterized in that the system comprises
- a first radio network controller for controlling the connections to mobile stations,
  - a protocol control block in said first radio network controller for controlling at
- 5 least one communication protocol controlling at least one connection, and
- a second radio network controller;
- and in that
- said first radio network controller is arranged to send information specifying the state of said protocol control block to said second radio network controller, and
- 10 - said second radio network controller is arranged to take over the control of said at least one connection as a response to the receiving of said information.

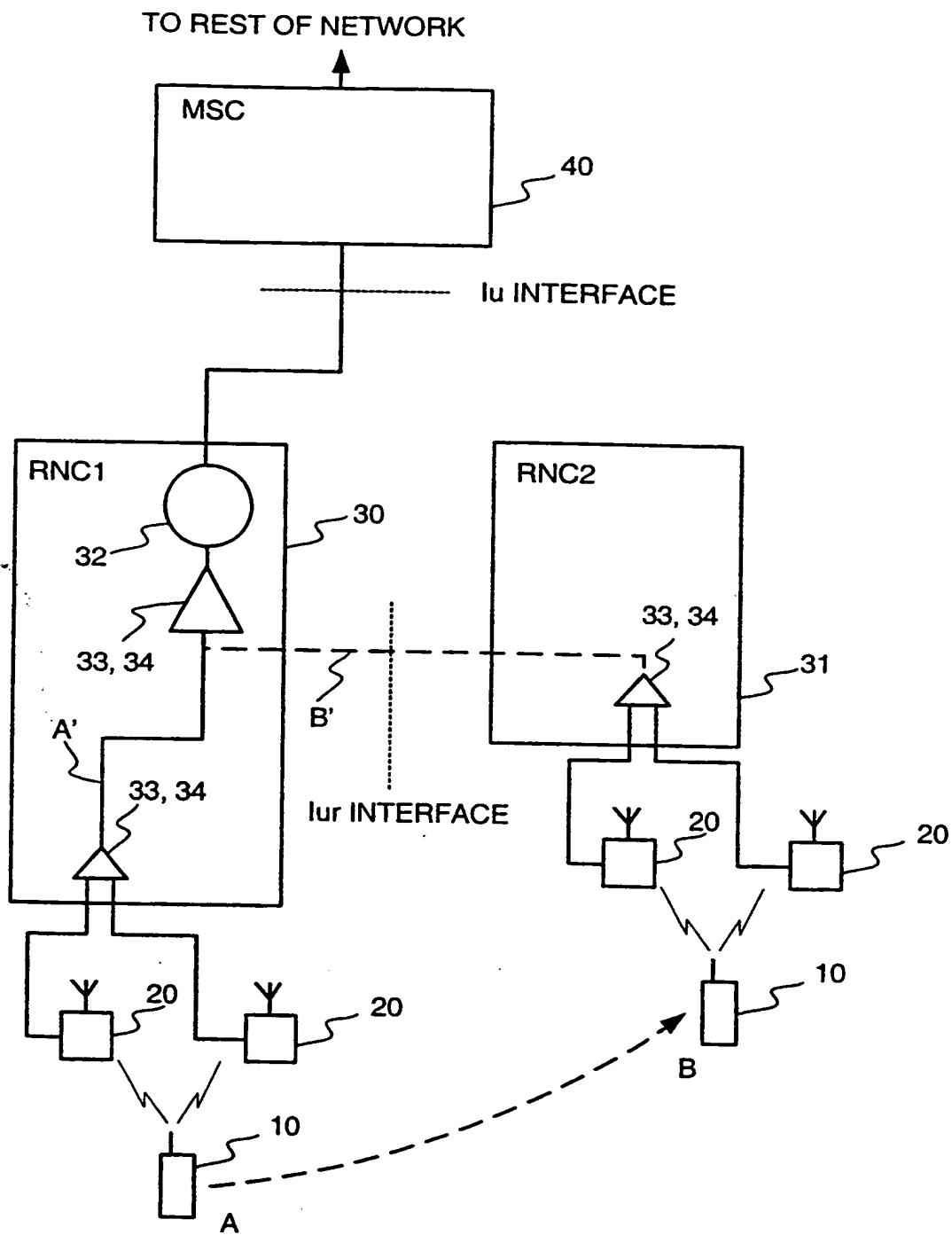


Fig. 1  
PRIOR ART

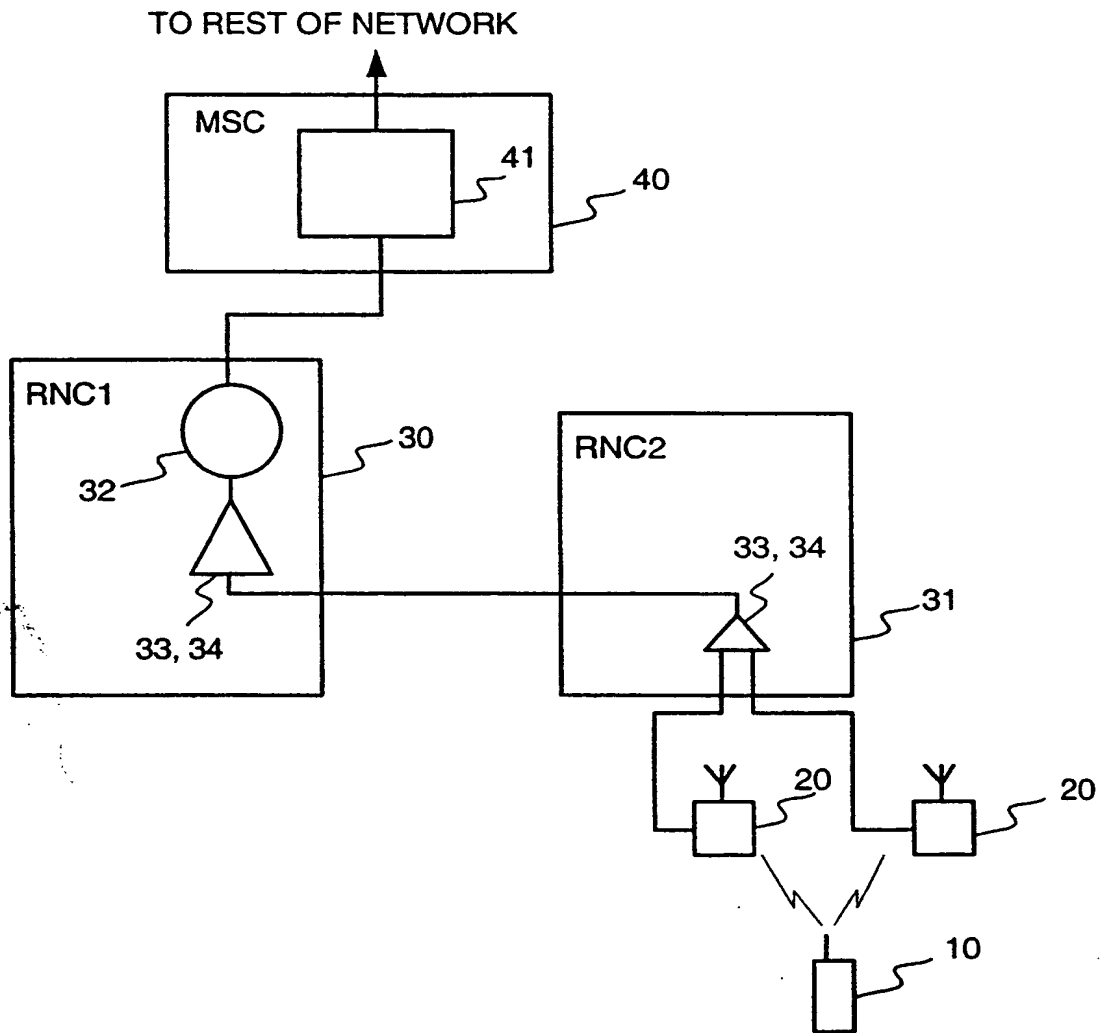


Fig. 2

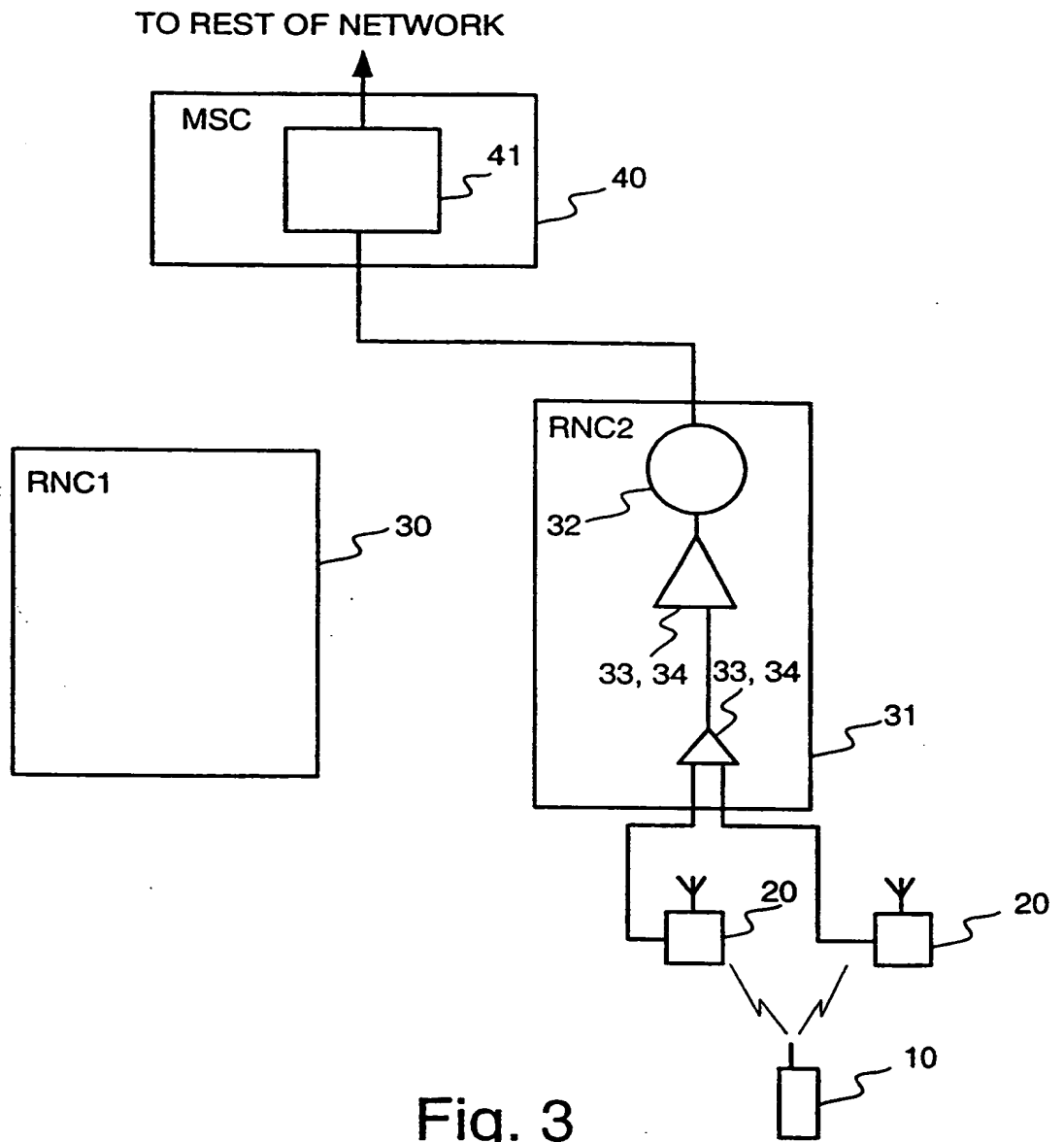


Fig. 3



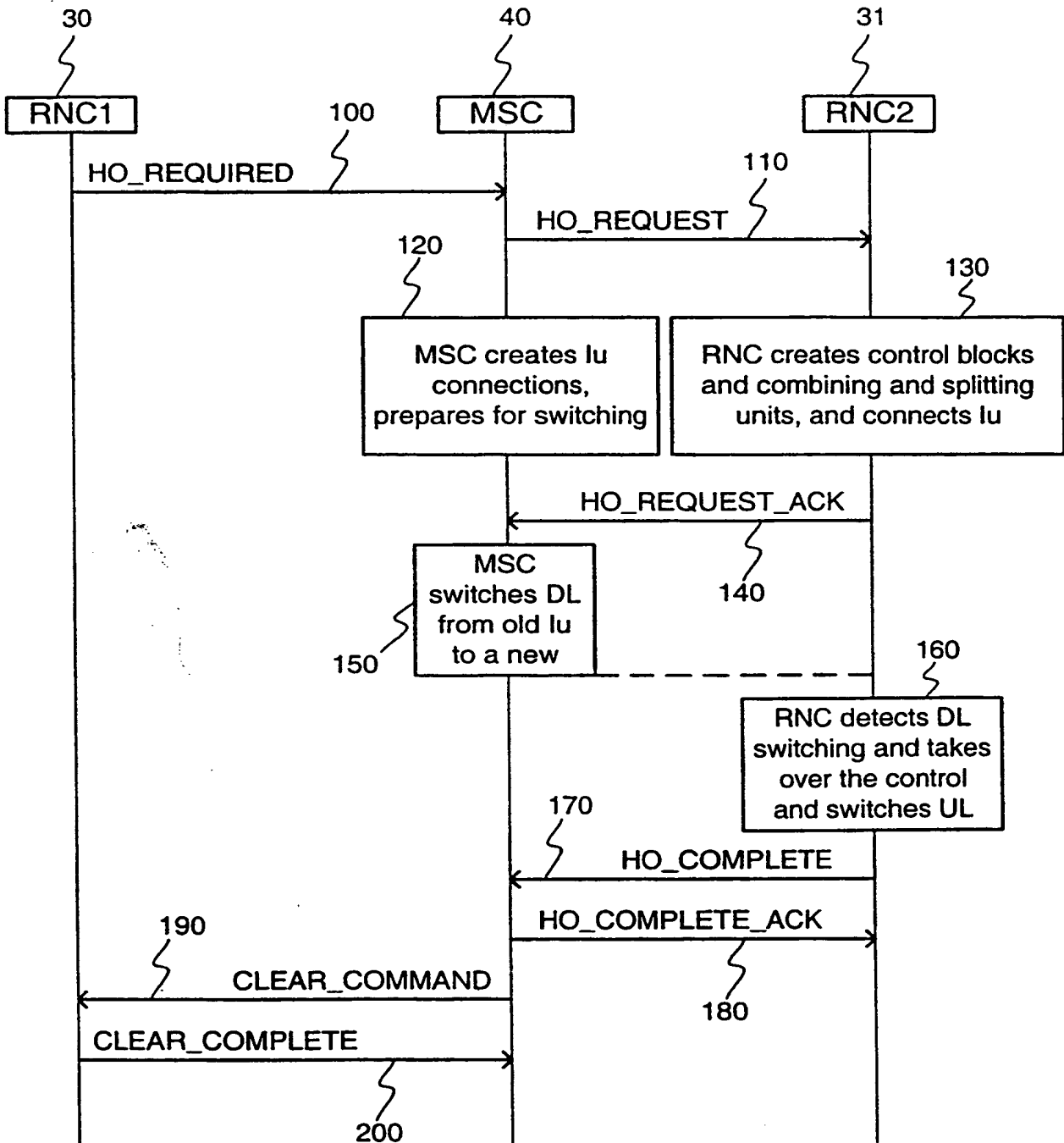


Fig. 4

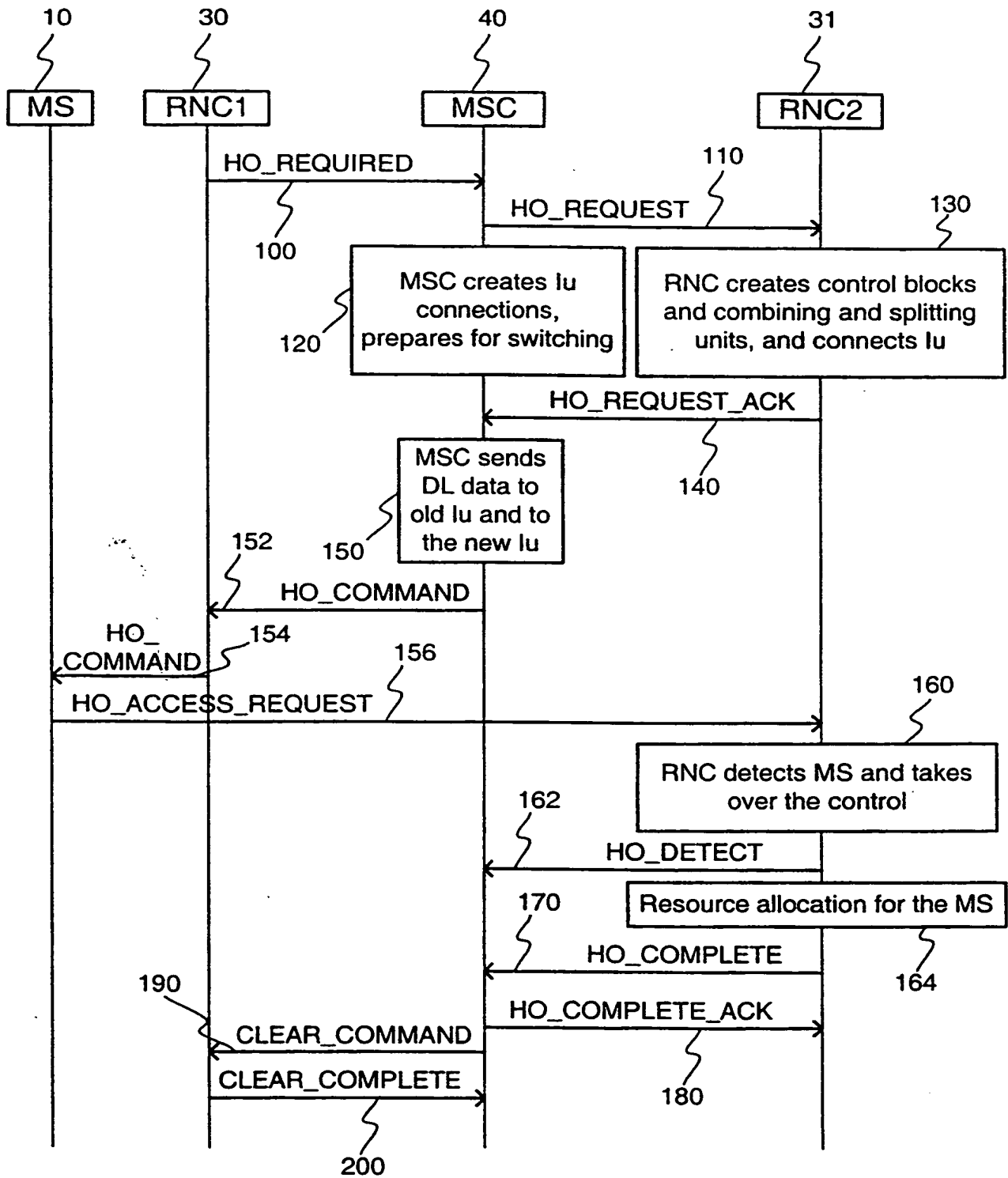


Fig. 5



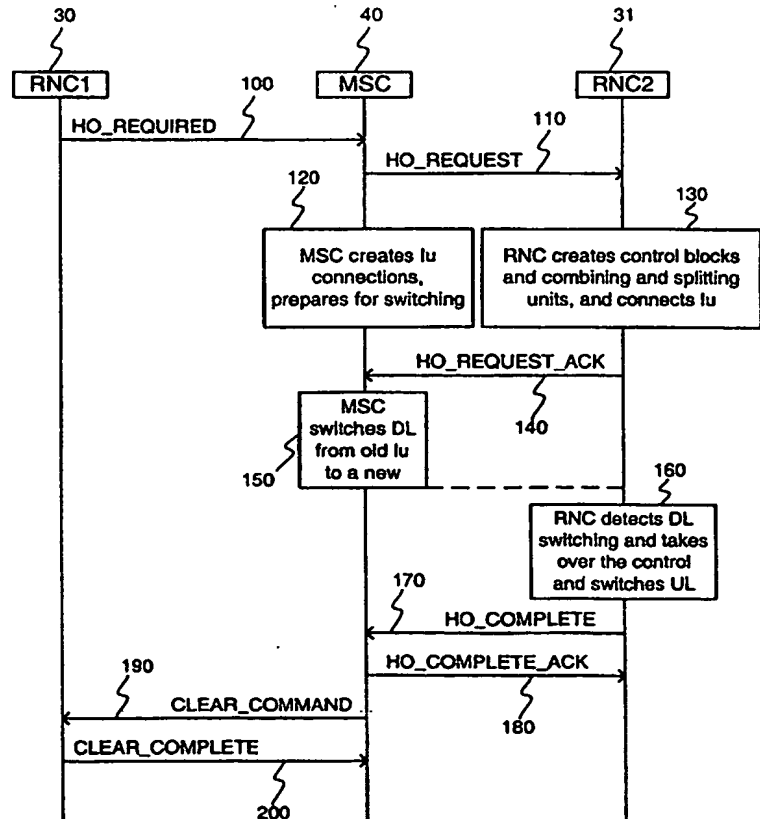
INTERNATIONAL APPLICATION PUBLISHED UNDER THE PATENT COOPERATION TREATY (PCT)

<p>(51) International Patent Classification <sup>6</sup> : <b>H04Q 7/38</b></p>	<p><b>A3</b></p>	<p>(11) International Publication Number: <b>WO 99/51051</b> (43) International Publication Date: 7 October 1999 (07.10.99)</p>
<p>(21) International Application Number: PCT/FI99/00268 (22) International Filing Date: 31 March 1999 (31.03.99) (30) Priority Data: 980736 31 March 1998 (31.03.98) FI (71) Applicant (for all designated States except US): NOKIA TELECOMMUNICATIONS OY [FI/FI]; P.O. Box 300, FIN-00045 Nokia Group (FI). (72) Inventor; and (75) Inventor/Applicant (for US only): AHMAVAARA, Kalle [FI/FI]; Ruostekuja 3 D 24, FIN-01610 Vantaa (FI). (74) Agent: BERGGREN OY AB; P.O. Box 16, FIN-00101 Helsinki (FI).</p>	<p>(81) Designated States: AE, AL, AM, AT, AU, AZ, BA, BB, BG, BR, BY, CA, CH, CN, CU, CZ, DE, DK, EE, ES, FI, GB, GD, GE, GH, GM, HR, HU, ID, IL, IN, IS, JP, KE, KG, KP, KR, KZ, LC, LK, LR, LS, LT, LU, LV, MD, MG, MK, MN, MW, MX, NO, NZ, PL, PT, RO, RU, SD, SE, SG, SI, SK, SL, TJ, TM, TR, TT, UA, UG, US, UZ, VN, YU, ZA, ZW, ARIPO patent (GH, GM, KE, LS, MW, SD, SL, SZ, UG, ZW), Eurasian patent (AM, AZ, BY, KG, KZ, MD, RU, TJ, TM), European patent (AT, BE, CH, CY, DE, DK, ES, FI, FR, GB, GR, IE, IT, LU, MC, NL, PT, SE), OAPI patent (BF, BJ, CF, CG, CI, CM, GA, GN, GW, ML, MR, NE, SN, TD, TG).</p> <p>Published With international search report. Before the expiration of the time limit for amending the claims and to be republished in the event of the receipt of amendments.</p> <p>(88) Date of publication of the international search report: 25 November 1999 (25.11.99)</p>	

(54) Title: A METHOD FOR CONTROLLING CONNECTIONS TO A MOBILE STATION

(57) Abstract

The invention describes the realisation of transmission link optimisation in a situation, where a mobile station has moved from a network area controlled by a first radio network controller (RNC) RNC1 to a network area controlled by a second radio network controller RNC2. Signalling associated with the procedure is executed between the two RNC:s and a mobile switching center (MSC). The mobile station does not need to participate in the signalling, since the used radio resources remain the same. The object of this procedure is to optimise the utilisation of transmission links in the radio access network being used (RAN) and to minimise the transmission delay between the controlling RNC and the radio interface. This is realised by relocating the entities which control connections of a mobile station from the first RNC to the second RNC, and optimising the transmission links between the MSC and the second RNC. Such controlling entities may comprise e.g. the macrodiversity combining function, radio resource control block and associated user plane entities.



**FOR THE PURPOSES OF INFORMATION ONLY**

Codes used to identify States party to the PCT on the front pages of pamphlets publishing international applications under the PCT.

AL	Albania	ES	Spain	LS	Lesotho	SI	Slovenia
AM	Armenia	FI	Finland	LT	Lithuania	SK	Slovakia
AT	Austria	FR	France	LU	Luxembourg	SN	Senegal
AU	Australia	GA	Gabon	LV	Latvia	SZ	Swaziland
AZ	Azerbaijan	GB	United Kingdom	MC	Monaco	TD	Chad
BA	Bosnia and Herzegovina	GE	Georgia	MD	Republic of Moldova	TG	Togo
BB	Barbados	GH	Ghana	MG	Madagascar	TJ	Tajikistan
BE	Belgium	GN	Guinea	MK	The former Yugoslav Republic of Macedonia	TM	Turkmenistan
BF	Burkina Faso	GR	Greece	ML	Mali	TR	Turkey
BG	Bulgaria	HU	Hungary	MN	Mongolia	TT	Trinidad and Tobago
BJ	Benin	IE	Ireland	MR	Mauritania	UA	Ukraine
BR	Brazil	IL	Israel	MW	Malawi	UG	Uganda
BY	Belarus	IS	Iceland	MX	Mexico	US	United States of America
CA	Canada	IT	Italy	NE	Niger	UZ	Uzbekistan
CF	Central African Republic	JP	Japan	NL	Netherlands	VN	Viet Nam
CG	Congo	KE	Kenya	NO	Norway	YU	Yugoslavia
CH	Switzerland	KG	Kyrgyzstan	NZ	New Zealand	ZW	Zimbabwe
CI	Côte d'Ivoire	KP	Democratic People's Republic of Korea	PL	Poland		
CM	Cameroon	KR	Republic of Korea	PT	Portugal		
CN	China	KZ	Kazakistan	RO	Romania		
CU	Cuba	LC	Saint Lucia	RU	Russian Federation		
CZ	Czech Republic	LI	Liechtenstein	SD	Sudan		
DE	Germany	LK	Sri Lanka	SE	Sweden		
DK	Denmark	LR	Liberia	SG	Singapore		
EE	Estonia						

INTERNATIONAL SEARCH REPORT

International application No.

PCT/FI 99/00268

A. CLASSIFICATION OF SUBJECT MATTER

IPC6: H04Q 7/38  
According to International Patent Classification (IPC) or to both national classification and IPC

B. FIELDS SEARCHED

Minimum documentation searched (classification system followed by classification symbols)

IPC6: H04Q

Documentation searched other than minimum documentation to the extent that such documents are included in the fields searched

SE,DK,FI,NO classes as above

Electronic data base consulted during the international search (name of data base and, where practicable, search terms used)

C. DOCUMENTS CONSIDERED TO BE RELEVANT

Category*	Citation of document, with indication, where appropriate, of the relevant passages	Relevant to claim No.
X	CH 682867 A5 (ASCOM TECH AG), 30 November 1993 (30.11.93), column 2, line 30 - column 3, line 4; column 3, line 15 - line 55; column 7, line 60 - column 8, line 9, claim 4, abstract	1-8,14
	--	
X	ETSI: Recommendation GSM 05.01, v. 3.3.2, January 1991; section 5	9-11
	--	
X	US 5521963 A (D.C. SHRADER ET AL), 28 May 1996 (28.05.96), column 9, line 22 - line 30, abstract	9-11
	--	

Further documents are listed in the continuation of Box C.  See patent family annex.

* Special categories of cited documents:	"I" later document published after the international filing date or priority date and not in conflict with the application but cited to understand the principle or theory underlying the invention
"A" document defining the general state of the art which is not considered to be of particular relevance	"X" document of particular relevance: the claimed invention cannot be considered novel or cannot be considered to involve an inventive step when the document is taken alone
"E" earlier document but published on or after the international filing date	"Y" document of particular relevance: the claimed invention cannot be considered to involve an inventive step when the document is combined with one or more other such documents, such combination being obvious to a person skilled in the art
"L" document which may throw doubts on priority claim(s) or which is cited to establish the publication date of another citation or other special reason (as specified)	"&" document member of the same patent family
"O" document referring to an oral disclosure, use, exhibition or other means	
"P" document published prior to the international filing date but later than the priority date claimed	

Date of the actual completion of the international search	Date of mailing of the international search report
11 October 1999	13-10-1999

Name and mailing address of the ISA/ Swedish Patent Office Box 5055, S-102 42 STOCKHOLM Facsimile No. +46 8 666 02 86	Authorized officer Per Källquist/cs Telephone No. +46 8 782 25 00
--	---

## INTERNATIONAL SEARCH REPORT

International application No.

PCT/FI 99/00268

C (Continuation). DOCUMENTS CONSIDERED TO BE RELEVANT

Category*	Citation of document, with indication, where appropriate, of the relevant passages	Relevant to claim No.
A	M. Mouly, M.B. Pautet: The GSM System for Mobile Communications, France, 1992; page 346- page 347; page 396 - page 399 --	1-14
A	WO 9515665 A1 (MOTOROLA INC.), 8 June 1995 (08.06.95), page 10, line 27 - page 11, line 13, abstract --	1-14
E	US 5930714 A (NORTHERN TELECOM LIMITED), 27 July 1999 (27.07.99), column 4, line 39 - line 46; column 8, line 16 - line 22; column 9, line 7 - line 25 --	1-8,14
A	EP 0740486 A2 (AT & T IPM CORP.), 30 October 1996 (30.10.96), abstract --	1-8,14
A	WO 9626620 A1 (NOKIA TELECOMMUNICATIONS OY), 29 August 1996 (29.08.96), abstract -- -----	1-8,14

# INTERNATIONAL SEARCH REPORT

International application No.  
PCT/FI99/00268

## Box I Observations where certain claims were found unsearchable (Continuation of item 1 of first sheet)

This international search report has not been established in respect of certain claims under Article 17(2)(a) for the following reasons:

1.  Claims Nos.:  
because they relate to subject matter not required to be searched by this Authority, namely:
  
2.  Claims Nos.:  
because they relate to parts of the international application that do not comply with the prescribed requirements to such an extent that no meaningful international search can be carried out, specifically:

## Box II Observations where unity of invention is lacking (Continuation of item 2 of first sheet)

This International Searching Authority found multiple inventions in this international application, as follows:

See next page.

1.  As all required additional search fees were timely paid by the applicant, this international search report covers all searchable claims.
2.  As all searchable claims could be searched without effort justifying an additional fee, this Authority did not invite payment of any additional fee.
3.  As only some of the required additional search fees were timely paid by the applicant, this international search report covers only those claims for which fees were paid, specifically claims Nos.:
  
4.  No required additional search fees were timely paid by the applicant. Consequently, this international search report is restricted to the invention first mentioned in the claims; it is covered by claims Nos.:

### Remark on Protest

- The additional search fees were accompanied by the applicant's protest.  
 No protest accompanied the payment of additional search fees.

# INTERNATIONAL SEARCH REPORT

international application No.  
PCT/FI99/00268

There are two groups of technical features claimed, which do not contain either the same or corresponding technical features, as they relate to different objectively determined problems and their different solutions.

I: The invention as claimed in claims 1-8 and 14 refers to controlling a handover involving two radio network controllers (RNCs) and specifying an execution time.

II: The invention as claimed in claims 9-13 refers to opening a connection of a mobile station.

These groups of inventions are not so linked as to form a single general inventive concept (PCT Rule 13.1). There is no technical relationship among those inventions involving one or more of the same or corresponding technical features within the meaning of PCT Rule 13.2.

Consequently the claims do not fulfil the requirement of unity (PCT Rule 13).



# INTERNATIONAL SEARCH REPORT

Information on patent family members

International application No.

PCT/FI 99/00268

Patent document cited in search report	Publication date	Patent family member(s)	Publication date
CH 682867 A5	30/11/93	NONE	
US 5521963 A	28/05/96	CA 2157653 A	09/03/96
WO 9515665 A1	08/06/95	AU 1253895 A BR 9405716 A CA 2153327 A CN 1117336 A EP 0682846 A FI 953692 A JP 8506472 T	19/06/95 19/12/95 08/06/95 21/02/96 22/11/95 02/08/95 09/07/96
US 5930714 A	27/07/99	EP 0935899 A WO 9818282 A	18/08/99 30/04/98
EP 0740486 A2	30/10/96	CA 2170670 A JP 8307925 A US 5646978 A	28/10/96 22/11/96 08/07/97
WO 9626620 A1	29/08/96	AU 703260 B AU 4666396 A CA 2210898 A CN 1176041 A EP 0811300 A FI 100445 B FI 950777 A JP 11500875 T NO 973802 A FI 100214 B FI 950778 A	25/03/99 11/09/96 29/08/96 11/03/98 10/12/97 00/00/00 21/08/96 19/01/99 17/10/97 00/00/00 21/08/96

This Page Blank (uspto)

**This Page is Inserted by IFW Indexing and Scanning  
Operations and is not part of the Official Record**

**BEST AVAILABLE IMAGES**

Defective images within this document are accurate representations of the original documents submitted by the applicant.

Defects in the images include but are not limited to the items checked:

- BLACK BORDERS
- IMAGE CUT OFF AT TOP, BOTTOM OR SIDES
- FADED TEXT OR DRAWING
- BLURRED OR ILLEGIBLE TEXT OR DRAWING
- SKEWED/SLANTED IMAGES
- COLOR OR BLACK AND WHITE PHOTOGRAPHS
- GRAY SCALE DOCUMENTS
- LINES OR MARKS ON ORIGINAL DOCUMENT
- REFERENCE(S) OR EXHIBIT(S) SUBMITTED ARE POOR QUALITY
- OTHER: \_\_\_\_\_

**IMAGES ARE BEST AVAILABLE COPY.**

**As rescanning these documents will not correct the image problems checked, please do not report these problems to the IFW Image Problem Mailbox.**

